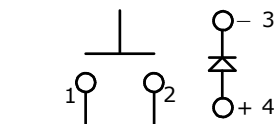
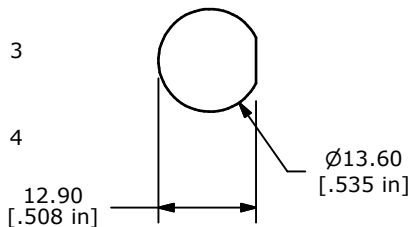


PANEL MOUNTING



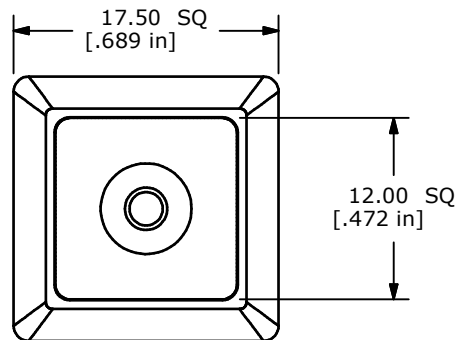
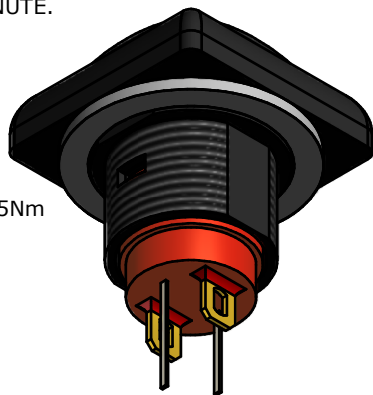
▲ **CIRCUIT: SPST**
OFF-(ON)
MOMENTARY



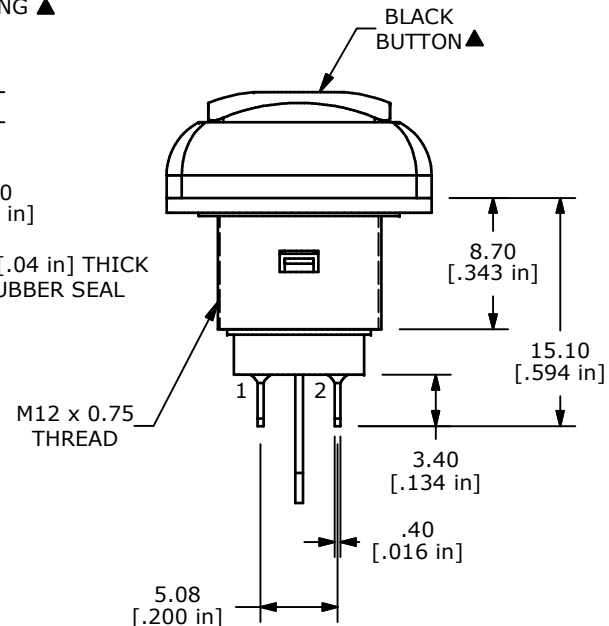
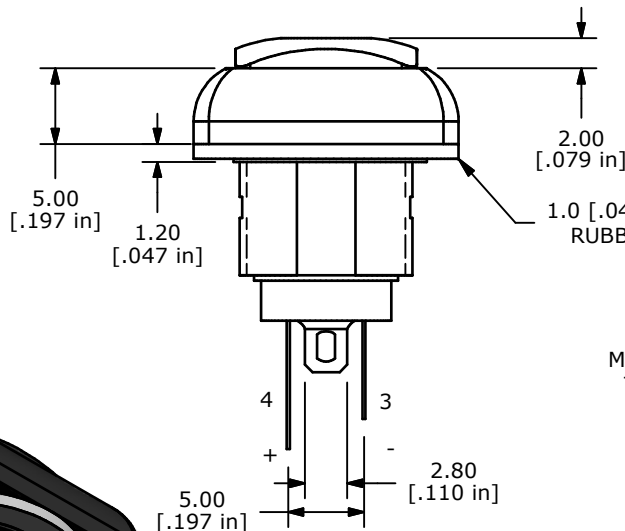
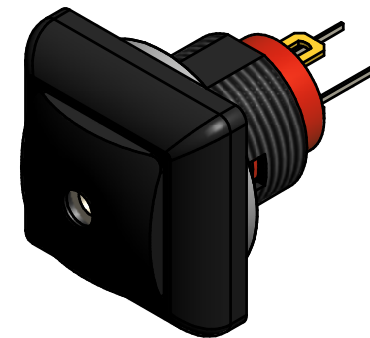
LED SPECS	UNITS	GREEN ▲
FORWARD CURRENT	mA	20
FORWARD VOLTAGE @20mA	V	2.0-2.6
LUMINOUS INTENSITY @ 20mA	mcd	42-80

NOTE:

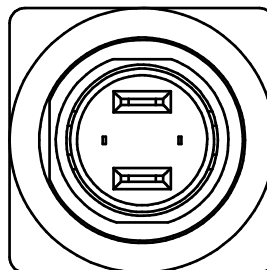
- ALL DIMENSIONS IN MM [INCH]
- GENERAL TOLERANCE: X.X=±0.4
X.XX=±0.25
- TERMINAL NUMBERS FOR REF ONLY
- CIRCUIT: SPST OFF-MOMENTARY ON
- CONTACT MATERIAL: Gold OVER SILVER
- RATING: 125mA @ 125 VAC
100mA @ 50 VDC
- ELECTRIC LIFE: 500,000 CYCLES AT FULL LOAD
- CONTACT RESISTANCE: 50 MILLIOHM MAX. (INITIAL)
- INSULATION RESISTANCE: 1,000 MEGA-OHM MIN. @ 500VDC.
- DIELECTRIC STRENGTH: 1,000 VAC FOR 1 MINUTE.
- ▲ OPERATING FORCE: 350 gf +/- 150 gf
- OPERATING TEMPERATURE: -30°C TO +85°C.
- CONTACT BOUNCE: 10ms MAX.
- TRAVEL: 1.5±0.25MM
- PANEL THICKNESS RANGE: 1.5 - 4.0 mm.
- ▲ DENOTES CRITICAL PARAMETER.
- 2002/95/EC (ROHS) COMPLIANT
- MAX TORQUE APPLIED TO MOUNTING NUT: 0.5Nm
- HARDWARE INCLUDED:
 - T081101 LOCK WASHER (QTY 1)
 - T081102 HEX NUT (QTY 1)
 - T081103 RUBBER O-RING (QTY 1)
- SEAL RATING: IP67 AT THE FRONT PANEL (C)



BLACK HOUSING ▲



BLACK BUTTON ▲



TITLE RP8500B2M1CEBLKBLKGRN

REV	PCR NO	DESCRIPTION	DATE	BY
C	21601	CHANGE NOTE 20: IP67 WAS IP65	10/2/14	EBP
B	21533	CORRECT LED LOCATIONS	8/1/14	EBP
A	21287	NEW RELEASE	10/22/13	rc

SCALE	2:1	DATE	10/22/2013	DR	rc	DWG	ST085001	REV	C
-------	-----	------	------------	----	----	-----	----------	-----	---

THE INFORMATION CONTAINED IN THIS DOCUMENT IS PROPRIETARY TO E-SWITCH AND IS NOT TO BE COPIED OR TRANSFERRED